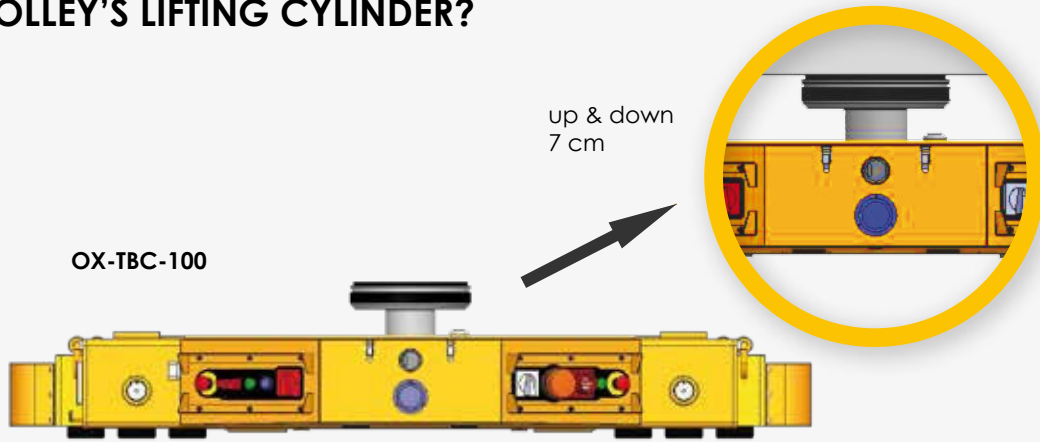


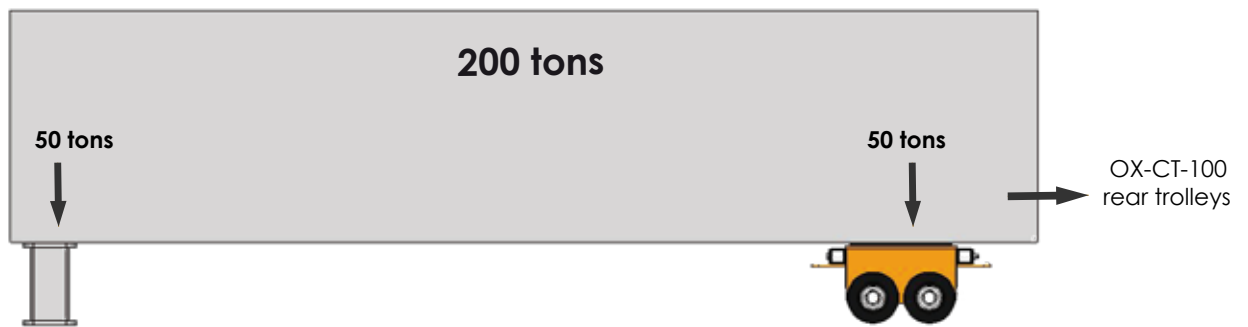
0

¿HOW CAN HELP YOU THE OX-TBC TROLLEY'S LIFTING CYLINDER?

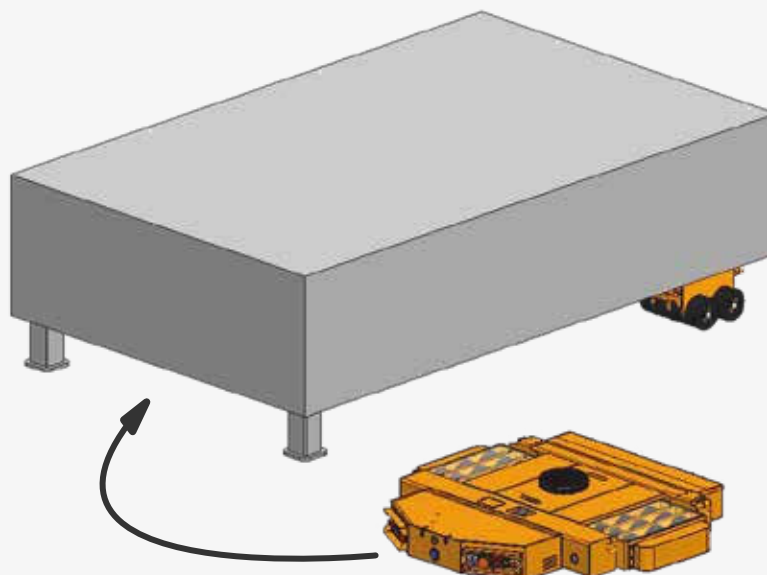


1

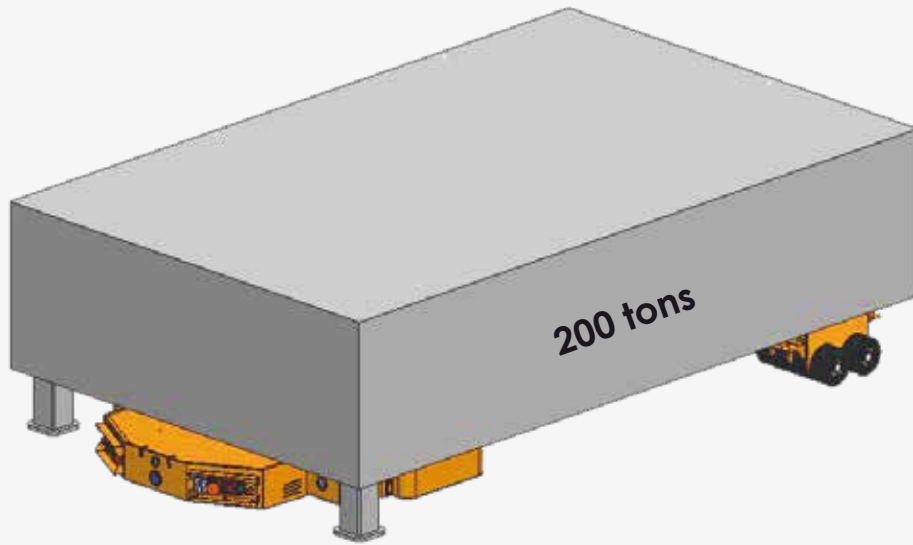
LOAD TO MOVE / LIFT



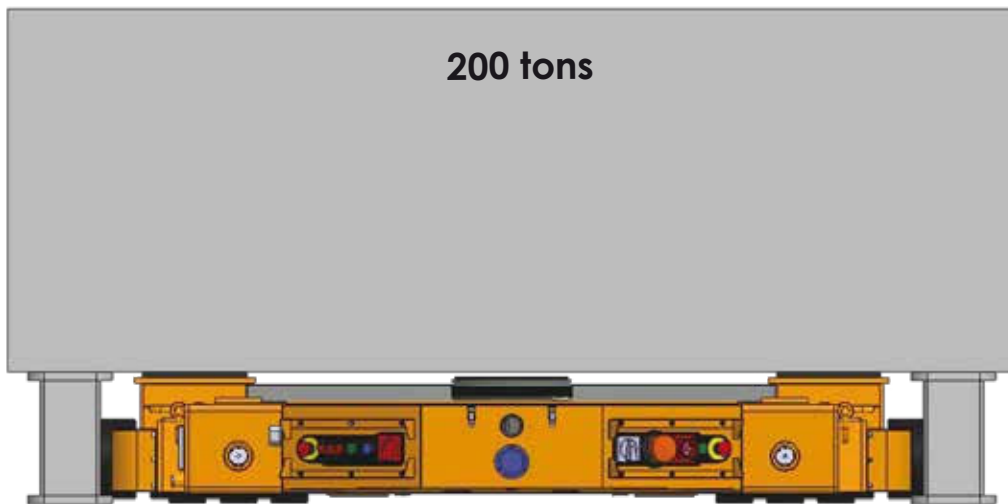
2



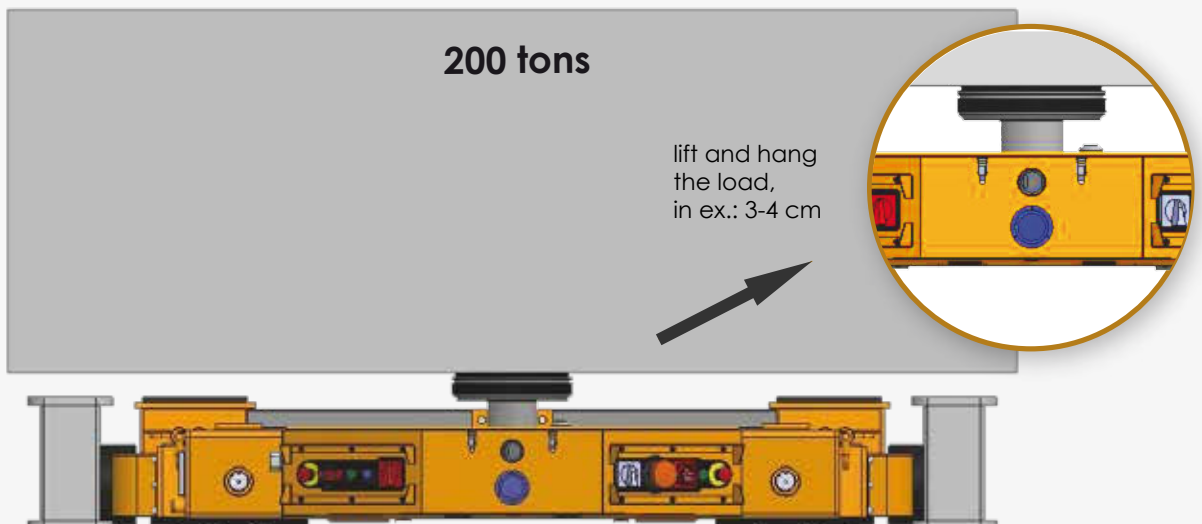
3



4

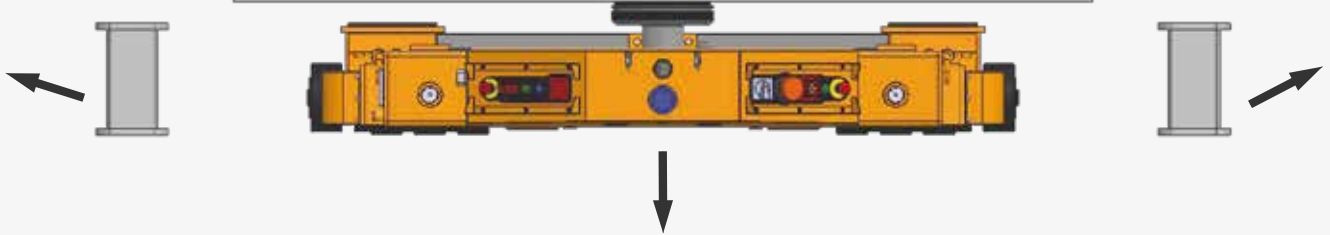


5



6

with the load hung by the lifting cylinder,
remove the trolley supports (wedges).



7

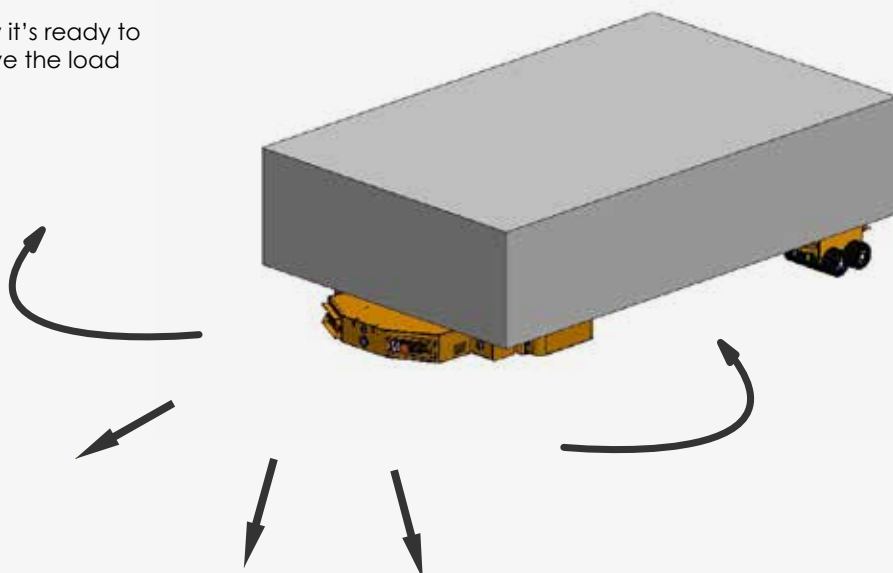
move down the cylinder

8

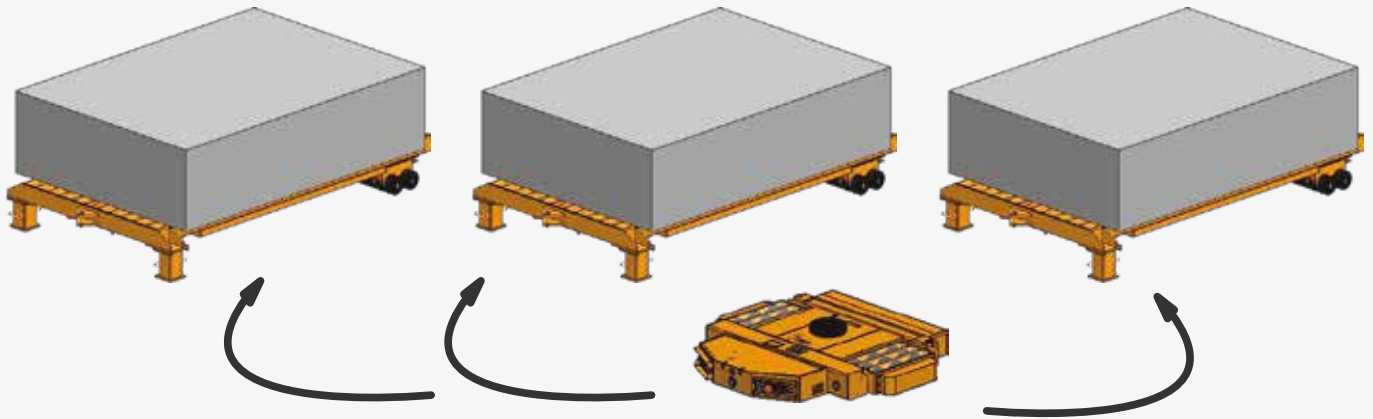


8

now it's ready to
move the load



9



Other applications:

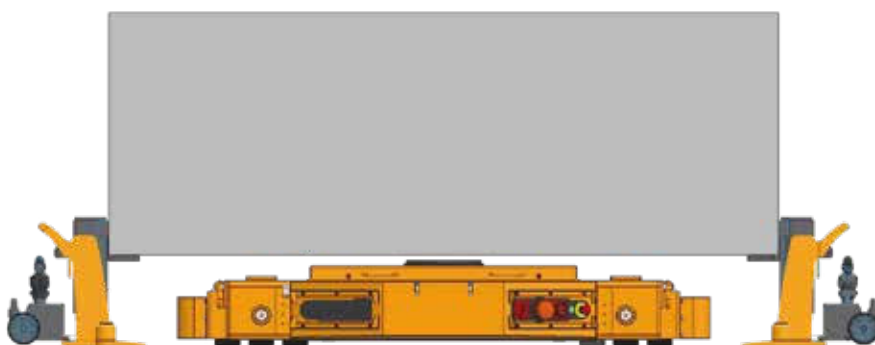
We manufacture for the client various platforms with rear trolleys, this means that with a single trolley you can move several platforms (once each time). This option can help in the manufacturing process.

These trolleys have been designed to work in industrial units and warehouses, for internal movements. Ramps can't be used.

10



If you work with a OX-ST (without cylinder), it is required to lift the load previously to place the trolley behind.



This process can be carried out by jacks or by cranes or bridge cranes.