



### CFB - OX WORLDWIDE

Ox Worldwide is part of the CFB Group that was created in 1993 with the mission of provide solutions for the transport and lifting of loads in a safe and controlled way in any sector industrial, naval, railway, wind, oil & gas, offshore, automotive, aeronautical and small industries. We have customers and distributors in the five continents.

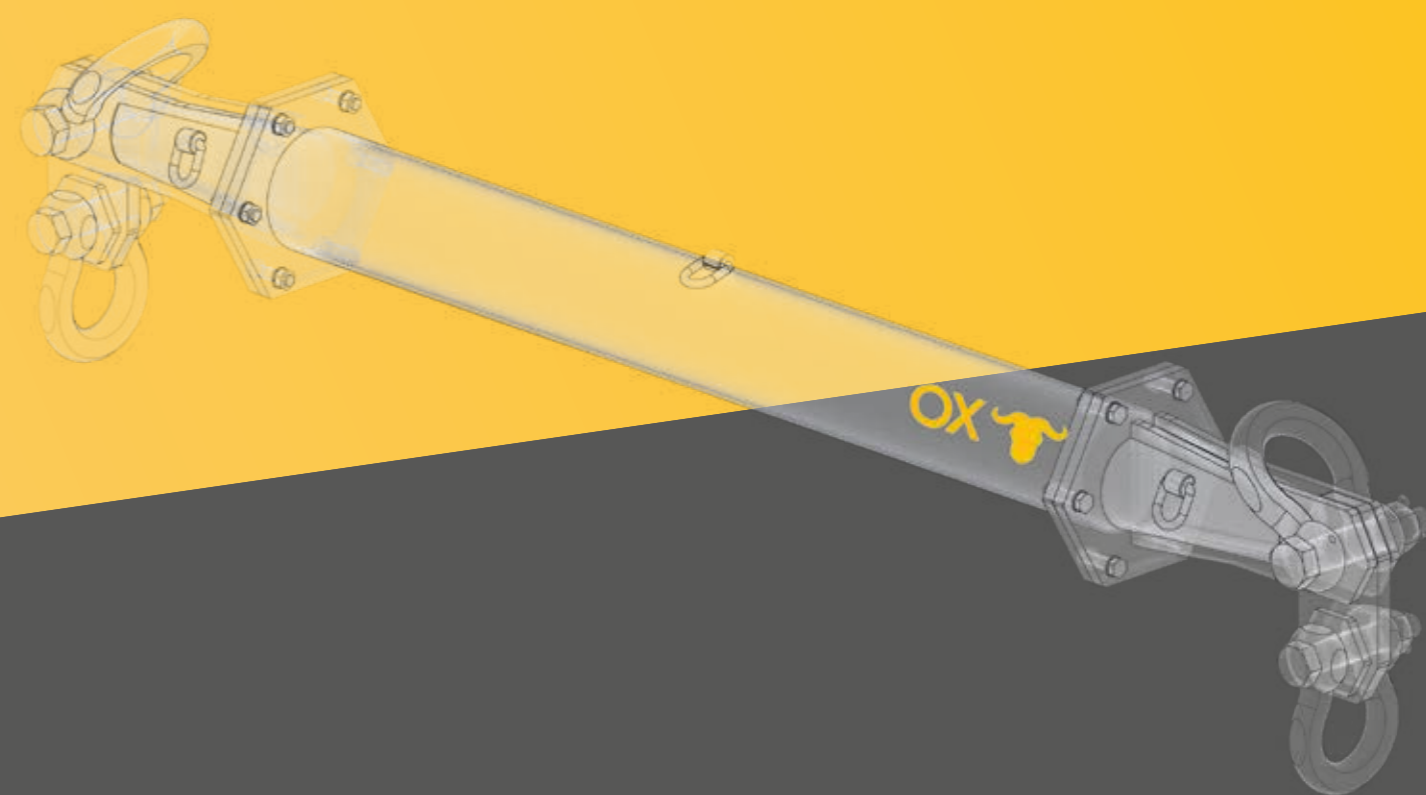
At CFB - Ox Worldwide, engineering, experience and advice is the basis of our quality.

### ISO & DNV CERTIFICATE

We have managed to manufacture and distribute machinery that meets the highest standards. For this, it is an essential requirement to pass all quality controls, which is why we have the following certifications:

- ISO 9001:2015
- UNE EN ISO 3834-2:2006 (welding)
- DNV GL-ST-0378 (Spreaders)
- DNV GL-ST-0377 (Spreaders)

CFB - Ox Worldwide is Lloyd Register Quality Assurance certified, in order to comply with all regulations, standards and norms of the European Union.



# OX

WORLDWIDE

- SELF-PROPELLED TROLLEYS
- ROTATING TROLLEYS
- SPREADER BEAMS
- LIFTING BEAMS
- C HOOKS
- TURNING DEVICES
- COIL CARS
- TRANSFER CARS

# HEAVY LIFTING EQUIPMENT



“Our priority is to provide effective, profitable and safe solutions, to ensure long-term business relationships, through customer satisfaction”

Emilio Blasco , founder of Ox Worldwide

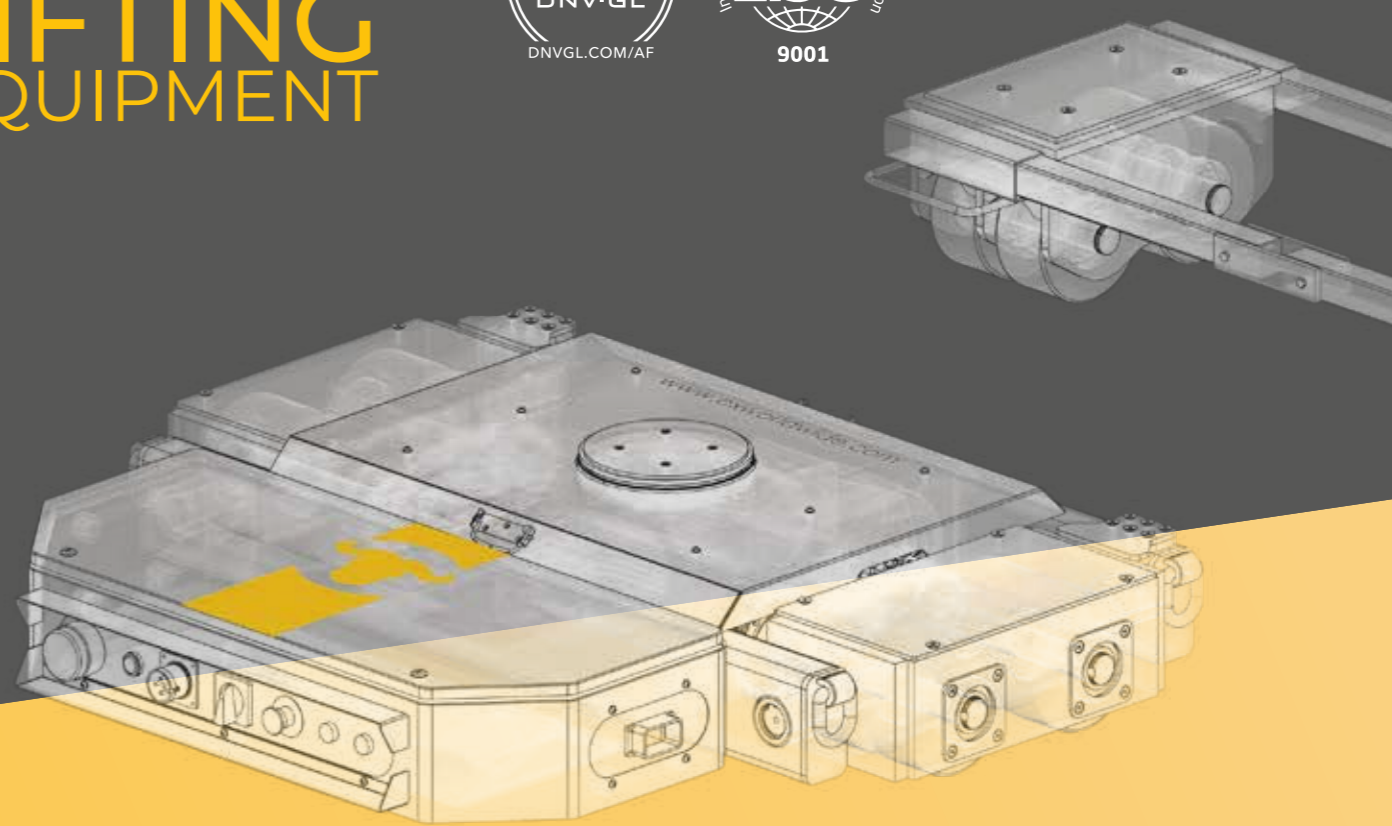


### OFFICES AND FACTORY

Mare de Déu de Nuria, 4.St. 08830 Sant Boi de Llobregat. Barcelona. Spain.

Phone. (+34) 93 289 54 74

info@oxworldwide.com - www.oxworldwide.com



# OX TROLEYS



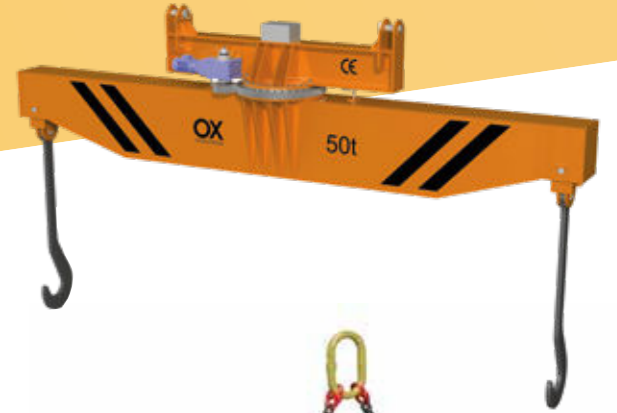
LOAD CAPACITY

150 100 60 30

We design and manufacture self-propelled trolleys from 30 to 150 tons to meet the needs for moving loads in the industrial sector.



## SWIVEL BEAMS



## OX SPREADER BEAMS

Wide range of Spreader Beams length-adjustable, with interchangeable inner parts of any length on request or standard of 500, 1000, 2000, 4000 mm. CMU: From 9 tons to 1350 tons.



## SPREADER CONTAINERS



## LIFTING BEAMS



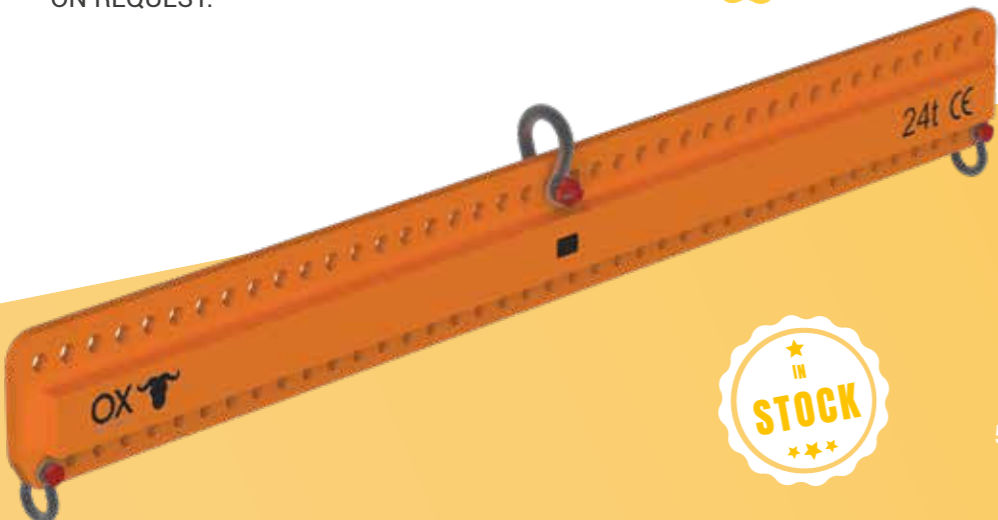
## OX ADJUSTABLE BEAMS

The ECO BEAM is an economical and fast-supply beam, as Ox Worldwide has semi-finished parts in stock, with which any supply is fast, for a range of capacities from 1 to 10t and lengths from 1 to 4 meters, both in STANDARD version (fixed) and ADJUSTABLE. And from 1 to 20 tons from 4.2 to 8 meters ON REQUEST.

## COIL CARS



## TURNING DEVICE



## OX MULTILUG BEAMS

The multilug or multi-point trolleys is a versatile solution. Available in STOCK OF 10, 15, 24, 34, 50, 70 Y 110 tons and 4 meters in length. REST OF MODELS ON REQUEST.



## ROTATING TROLLEYS 4 Y 6 T

