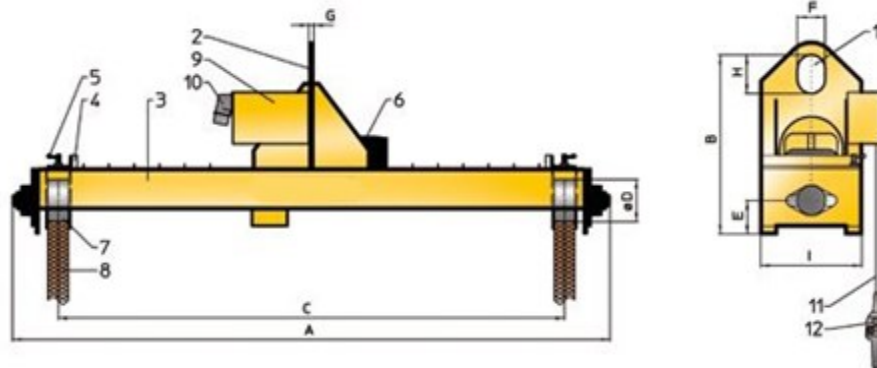


Load turning device **ROTOX RV** at a glance:



## ROTOX® RV

Manually adjustable, Capacity: 1,000 to 10,000 kg

### Description of items

1. Suspension eye
2. Suspension
3. Steel frame
4. Adjustment sledge
5. Spring locking
6. Driving motor
7. Driving wheel
8. Chains or slings
9. Control
10. CEE-plug, 5-pin
11. Control cable
12. Pendant control box

### Scope of delivery

Basic equipment with suspension frame for crane hook, with control cable, with push button pendant station left/right and emergency stop, 400 V 50 Hz 3ph, 48 V control voltage, with CEE-plug, 5-pin

## Capacity range

<sup>1</sup>Turning moment / <sup>2</sup>Turning speed / <sup>3</sup>Weight (without belts)

Type RV	Capacity [kg]	A [mm]	B [mm]	C [mm]	D [mm]	E [mm]	F [mm]	G [mm]	H [mm]	I [mm]	Power / DC [KW /%]	TM <sup>1</sup> [Nm]	TS <sup>2</sup> [m/min]	W <sup>3</sup> [kg]
1000/1.5	1000	1860	875	800-1500	165	310	110	20	150	380	0.6/40	410	3.1	370
1000/2.0	1000	2360	875	800-2000	165	310	110	20	150	380	0.26/40	410	3.1	390
1000/3.0	1000	3360	875	800-3000	165	310	110	20	150	380	0.26/40	410	3.1	430
2000/1.5	2000	1860	875	800-1500	165	310	110	20	150	380	0.26/40	410	3.1	370
2000/2.0	2000	2360	875	800-2000	165	310	110	20	150	380	0.26/40	410	3.1	390
2000/3.0	2000	3360	875	800-3000	165	310	110	20	150	380	0.26/40	410	3.1	430
3200/2.0	3200	2360	875	800-2000	165	310	110	20	150	400	0.45/40	705	3.1	390
3200/3.0	3200	3360	875	800-3000	165	310	110	20	150	400	0.45/40	705	3.1	530
3200/4.0	3200	4360	875	800-4000	165	310	110	20	150	400	0.45/40	705	3.1	655
5000/2.0	5000	2360	875	800-2000	165	310	110	20	150	400	0.83/25	1340	3.1	390
5000/3.0	5000	3360	875	800-3000	165	310	110	20	150	400	0.83/25	1340	3.1	530
5000/4.0	5000	4360	875	800-4000	165	310	110	20	150	400	0.83/25	1340	3.1	655
10000/3.0	10000	3550	1130	1200-3000	325	335	120	50	200	800	0.74/40	3300	3.1	1500