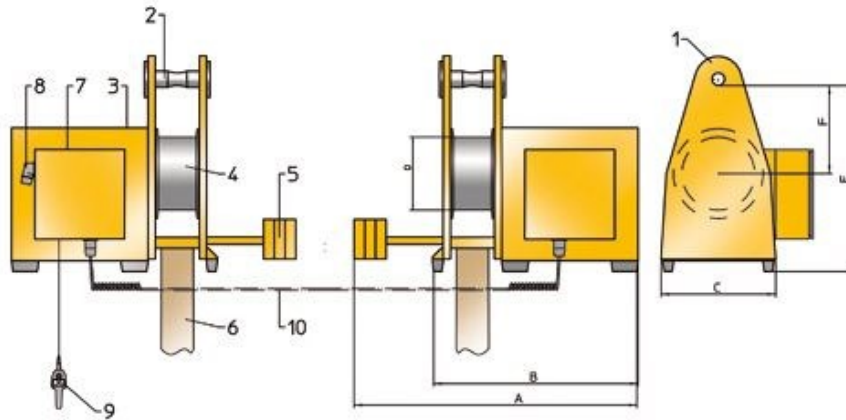


Load turning device **ROTOX RE** at a glance:



For tandem operation with 2 crane systems, load capacity: 3,000 to 20,000 kg

Description of items

1. Suspension
2. Suspension bolt
3. Steel housing
4. Driving wheel
5. Counter weight
6. Chains or slings
7. Control
8. CEE-plug, 5-pin
9. Pendant control box with control cable
10. Helix cable (connecting cable)

Scope of delivery

Basic equipment with suspension frame for crane hook, with control cable, with push button pendant station left/right and emergency stop, 400 V 50 Hz 3ph, 48 V control voltage, with CEE-plug, 5-pin

Product: load turning device, load turning beam, load turning device beam, Turnover spreader beam, load turning device rotor, Rotator Lifting beams, load rotators

Capacity range

¹Drehmoment / ²Drehgeschwindigkeit / ³Gewicht ohne Wendemittel

Type	Capacity [kg]	A [mm]	B [mm]	D [mm]	E [mm]	F [mm]	Power / DC [KW / %]	TM ¹ [Nm]	TS ² [m/min]	W ³ [kg]
2 x RE 3000	2 x 3000	1900	1000	220	800	430	2 x 0.37/40	2 x 750	3.2	2 x 550
2 x RE 5000	2 x 5000	1900	1000	220	800	430	2 x 0.75/40	2 x 1800	2.6	2 x 550
2 x RE 10000	2 x 10000	2000	1150	406	1070	525	2 x 0.75/40	2 x 3200	2.7	2 x 1000
2 x RE 20000	2 x 20000	2250	-	406	1210	590	2 x 1.5/40	2 x 6400	2.7	2 x 2050