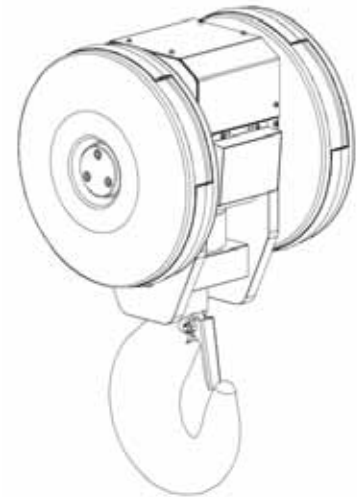




WEIGHT CRANE QUESTIONNAIRE

- DATE
- CUSTOMER
- PERSON OF CONTACT
- MAXIMUM CAPACITY kg.
- TYPE WEIGHING ROTATING HOOK
 - MANUAL MOTORIZED
- HOOK SIMPLE DOUBLE
- NUMBER OF FALLS
- WIRE ROPE DIAMETER mm.
- PULLEY DIAMETER mm.
- DISTANCE BETWEEN PULLEYS mm.
- HOOK SIZE
(Example: 12P)



- WORK TO PERFORM / OTHER SPECIFICATIONS: