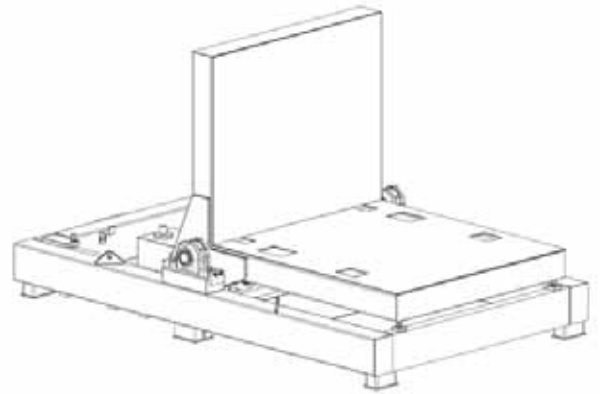




## COIL FILTERS QUESTIONNAIRE

- DATE
- CUSTOMER
- PERSON OF CONTACT
- MAXIMUM CAPACITY  kg.
- OBJECT TO ROTATE
- 90° ROTATING TIME  seconds
- DIMENSIONS
  - LENGTH  mm.
  - WIDTH  mm.
  - HEIGHT  mm.
- CENTERED LOAD (c.o.g.)
  - YES
  - NO, SPECIFY
- FORKLIFT PLACEMENT
  - SI, SPECIFY DISTANCE BETWEEN LEGS
  - NO
- ACTIVATION
  - HAND TRANSMITTER
  - FOOT PEDAL



- WORK TO PERFORM / OTHER SPECIFICATIONS: